

the PRODUCTS

the PERFORMANCE

DESCRIPTION	BASIC	ADVANCED
SK9000 SK Basic complete unit, panel mounting	●	
SK9001 SK Advanced complete unit, panel mounting		●
SK9010 Control unit with HF 868 Mhz receiver	●	
SK9011 Control unit with HF 868 Mhz receiver		●
SK9013 Transfer module for SK9011 & SK9012		●
SK9014 Remote antenna for SK9011 & SK9012		●
SK9020 SK Advanced Single door control unit		●
SK9030 Panel mount Reader		●
SK9031 Wall mounting internal Reader		●
SK9032 Flush mounting internal Reader		●
SK9040 S/steel housing for panel mounting complete unit & reader	●	●
SK9050/B Token (blue)	●	●
SK9050/G Token (green)	●	●
SK9050/GB Token (grey/blue)	●	●
SK9050/GG Token (grey/green)	●	●
SK9050/GO Token (grey/orange)	●	●
SK9050/GR Token (grey/red)	●	●
SK9050/GY Token (grey/yellow)	●	●
SK9050/O Token (orange)	●	●
SK9050/R Token (red)	●	●
SK9050/Y Token (yellow)	●	●
SK9051 Token "pass"		●
SK9052 Plastic proximity card (credit card format)	●	●
SK9053 Transfer card		●
SK9060 HF 868 Mhz transmitter	●	
SK9061 HF 868 Mhz transmitter		●
SK9062 Dual Technology HF 868 Mhz transmitter + Proximity fob		●
SK9070 Hand held programmer	●	●
SK9071 Lift module		●
SK9072 RS485 - TCP/IP module		●
SK9073 RS485 - USB converter		●
SK9091 SK Advanced software + USB encoder		●
SK9093 Management software + serial lead	●	●
3179 Vandalcom module for panel mounting complete unit & reader	●	●
3330 S/steel 40x40 plate (to be used with 3316/1 or 3110/1)	●	●
3329 Powercom module for panel mounting complete unit & reader	●	●
4389 12v cc - 1,5 A power supply	●	●
3110/1 Embedded box for s/steel plate 3330	●	●
3316/1 Surface box for s/steel plate 3330	●	●

DESCRIPTION	BASIC	ADVANCED
Stand alone unit - program by card or hand held programmer	●	
Stand alone unit - program with PC		●
Stand alone unit - program with PC on Web Server		●
Integration into Comelit Door Entry Panels	●	●
Integration into other Door Entry Panels	●	●
Possibility to have separate control unit from reader		●
Maximum tokens, cards or transmitters per reader	1500	1500
Maximum tokens, cards or transmitters per site	1500	65000
Maximum addressable readers per site		255
868 MHz RHF vehicle access	●	●
Lift Control		●
Deleting of lost tokens via RS 485 or TCP/IP - Network		●
Deleting of lost tokens via hand held programmer	●	●
Off-line event log - using transfer card		●
On-line event log - Network with PC & software		●
Maximum number of Off-line events		1500
Token / card management by Colour		●
Token / card management by serial no.	●	●
Multi site management		●
Multi site management by Universal Card		●
Time profiles		●
Group profiles		●
Main and secondary door management		●
Alarm functions - (i.e. Door Forced)		●
Management of readers (Network mode only)		●
Management of readers (Stand alone and Network mode)		●
Keypad + proximity unit		●
Management of names into Door Entry Panels		●
Adjustable Lock time / Voltage free contacts	●	●



Comelit Group UK Ltd
 Unit 4 Mallow Park Watchmead Welwyn
 Garden City Herts - AL7 1GX
 Tel: +44 (0)1707377203
 Fax: +44 (0)1707377204
 www.comelitgroup.co.uk



cat. 2163100049 8 10239031198331

Cat. 118

SimpleKey
 Access Control by Comelit



Access Management

for residential and commercial applications



SimpleKey

Access Control by Comelit



BASIC

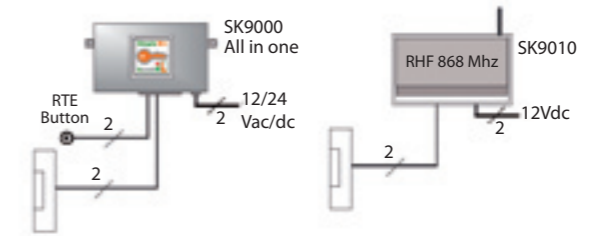
DESIGNED FOR SMALL, RESIDENTIAL APPLICATIONS



Stand-alone, simple and economic solution which requires minimal programming and wiring installation. Also available in the 868 MHz version transmitters for vehicle access control.

SimpleKeybasic

- 1.500 token / cards - 500 RF transmitters
- Simple programming by means of Master Card
- Voltage free contact with adjustable time
- RTE input
- Fits all Comelit modular panels
- Stand alone vandal resistant modules available
- Hand held programmer required for single key deleting



For residential and commercial applications

Our solutions were studied in order to satisfy the requirements of building administrators for access control making their installation and use as simple as possible. Simplekey is composed of 3 ranges which have to be selected according to the type of premises and level of security required.

- Mifare® Technology -



ADVANCED

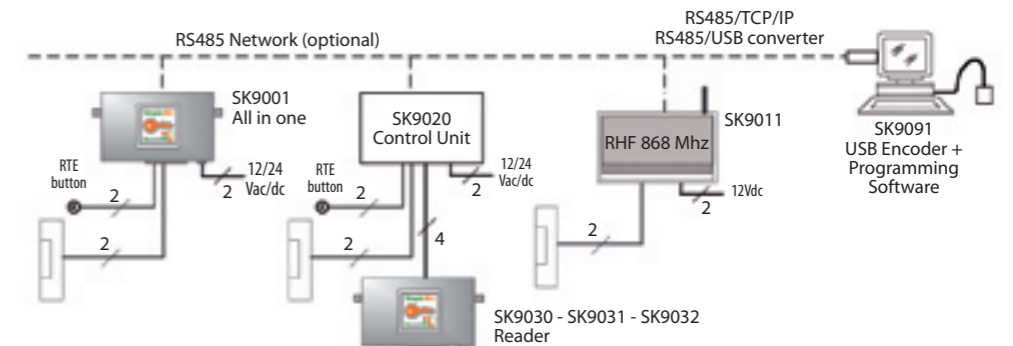
DESIGNED FOR RESIDENTIAL APPLICATIONS



Simple and economical solution for comprehensive management of all residential access control functions. No additional wiring when installed stand alone. Available as a network or Stand alone. Thanks to Mifare technology, Simplekey Advance allows numerous functions without the need of any connection between readers, and the possibility to ADD/DELETE tokens with out the need to visit site. No longer do we need to keep the serial numbers on all issued tokens / cards (stand alone version). Also available in the 868 MHz transmitters.

SimpleKeyadvanced

- 1,500 token / cards – RF transmitters
- Simple programming by means of user friendly software and USB encoder
- Unlimited number of sites
- Multi door systems
- Different colour tokens within each apartment
- ADD / DELETE tokens without visiting site
- Anti-tamper door alarm output
- Integrates perfectly into Comelit Panels
- Lift control devices
- OFF line events recording with transfer card (no network required)
- Stand alone or Networkable
- Readers can be connected to RS485 or TCP-IP network
- Stand alone Vandal resistant readers



PRO

DESIGNED FOR OFFICES, INDUSTRIAL SITES, ADMINISTRATIVE BUILDINGS



SimpleKey pro is available in stand-alone or network version.

SimpleKeypro

Powerful, intuitive, multi users and multi sites, the software SimpleKey Pro is especially designed to answer the needs of professional access control.

An ideal solution for the management of large installations requiring maximum security

Multi technological, single and multi door controllers allow the management of the electronic proximity tokens, radio frequency transmitters for Automatic Gates and coded keypads.

SimpleKey Pro modular concept makes it effective for small installations of some readers as well for larges industrials sites

